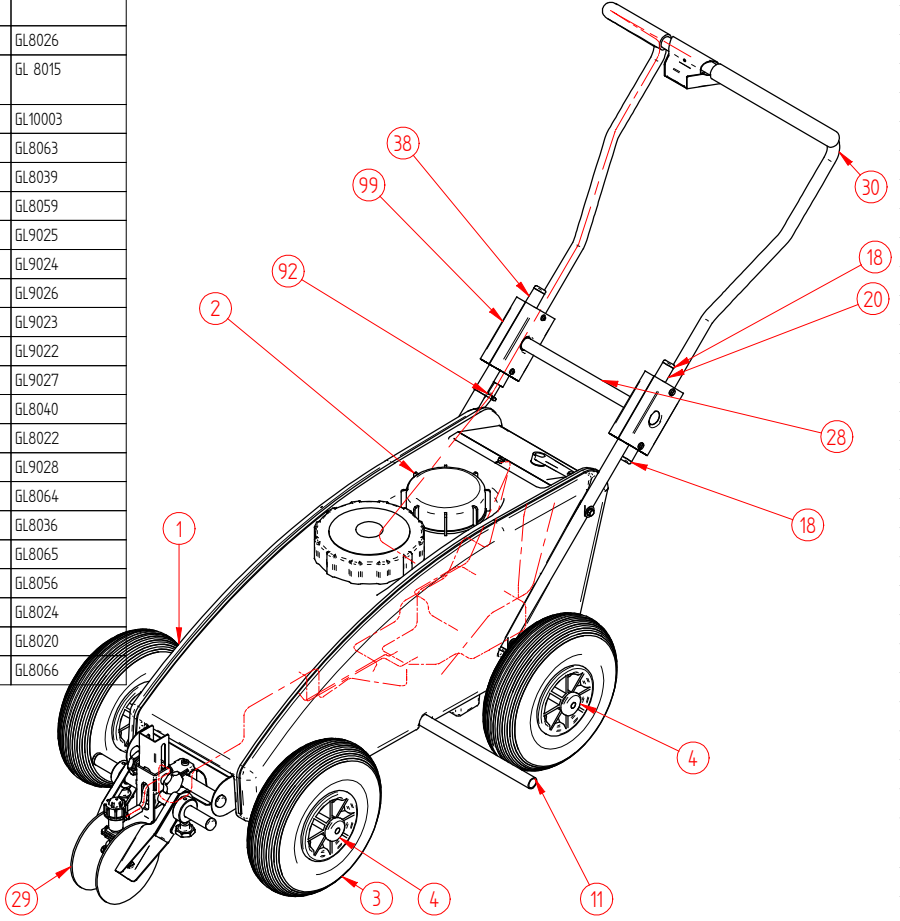




| Item Number | Title | Quantity | Comments |
|-------------|--|----------|----------|
| 62 | CARTON - ASSEMBLED - SA | 1 | GL10001 |
| 63 | CHARGER 2 AMP | 1 | GL9001 |
| 64 | BATTERY 12V 7AH | 1 | GL9012 |
| 70 | STRAINER MOUNTING BRACKET | 1 | GL8059 |
| 72 | LINE STRAINER | 1 | GL7004 |
| 73 | TANK FITTING-MARKING LIQUID C/W WASHER AND NUT | 1 | GL8015 |
| 74 | NUT M20 x 1.5 (PLASTIC) | 1 | GL8026 |
| 75 | TANK FITTING-MARKING LIQUID C/W WASHER AND NUT | 1 | GL 8015 |
| 79 | LABEL - TOP PLATE | 1 | GL10003 |
| 80 | TUBING 12 MM - CLEAR | 2 | GL8063 |
| 82 | STRAIGHT BARBED FITTING (1/4") | 1 | GL8039 |
| 84 | STRAINER SUPPORT | 1 | GL8059 |
| 85 | ELECTRICAL CONNECTOR BBF4 | 1 | GL9025 |
| 86 | ELECTRICAL CONNECTOR BBM4 | 1 | GL9024 |
| 87 | ELECTRICAL CONNECTOR BFOF | 1 | GL9026 |
| 88 | ELECTRICAL CONNECTOR RBF4 | 1 | GL9023 |
| 89 | ELECTRICAL CONNECTOR RBM4 | 1 | GL9022 |
| 90 | ELECTRICAL CONNECTOR RFOF | 1 | GL9027 |
| 92 | CABLE TIE | 1 | GL8040 |
| 93 | M5 WASHER | 4 | GL8022 |
| 94 | ELECTRICAL CONNECTOR RDF25 | 1 | GL9028 |
| 95 | M6x19x1.6 FLAT WASHER | 11 | GL8064 |
| 96 | BARBED PLASTIC Y-PIECE | 1 | GL8036 |
| 97 | PRESSURE RELIEF VALVE (PRV) | 1 | GL8065 |
| 98 | TUBING POLY 8MM - BLUE | 1 | GL8056 |
| 99 | HANDLE CLAMP C/W 2 OFF M5X45 PAN SLOT BOLTS | 2 | GL8024 |
| 100 | M6 NYLOCK NUT | 2 | GL8020 |
| 101 | HANDLE THREADED ROD | 1 | GL8066 |



| Item Number | Title | Quantity | Comments |
|-------------|--|----------|--------------|
| 1 | TANK - GO LINE 30 | 1 | SEE ASSEMBLY |
| 2 | FILLER CAP - PAINT TANK | 1 | GL8005 |
| 3 | WHEEL | 4 | GL8003 |
| 4 | 19mm CAP PUSH ON FIX | 4 | GL8008 |
| 5 | M6 WASHER | 10 | GL8007 |
| 7 | FRONT AXLE TUBE | 1 | GL8001 |
| 8 | REAR AXLE TUBE | 1 | GL8002 |
| 10 | 19mm SADDLE WASHER | 8 | GL8006 |
| 11 | SIDE MARKER EXTENSION TUBE | 1 | GL8010 |
| 12 | M6 x 30 HEX BOLT | 8 | GL8009 |
| 14 | M6 x 12 PAN SLOT | 20 | GL8013 |
| 17 | AXLE WASHER | 4 | GL8016 |
| 18 | 19mm TUBE PLUG (MALE) | 5 | GL8012 |
| 19 | PIN - AXLE R PIN | 4 | GL8017 |
| 20 | PRIMARY HANDLE BAR TUBE | 1 | GL8018 |
| 25 | HANDLE GRIP (NOT SOLD SEPERATLY) | 1 | GL8029 |
| 28 | HANDLE CLAMP - HANDLE SPACER TUBE | 1 | GL8025 |
| 29 | SPRAY HEAD GENERAL ASSY | 1 | SEE ASSEMBLY |
| 30 | HANDLE | 1 | GL8023 |
| 32 | VALVE - PAINT / WATER | 1 | GL8053 |
| 34 | SWITCH ASSY | 1 | SEE ASSEMBLY |
| 36 | POWERFLO-2200 SERIES | 1 | GL7001 |
| 37 | PUMP MOUNTING PLATE ASSY | 1 | GL7003 |
| 38 | PRIMARY HANDLE BAR TUBE OPP | 1 | GL8019 |
| 41 | TANK DRAIN PLUG | 1 | GL8054 |
| 42 | TUBING 12 MM - CLEAR | 1 | GL8063 |
| 43 | BOTTOM COVER PLATE ASSEMBLY | 1 | GL8052 |
| 44 | TUBING 12 MM - CLEAR | 1 | GL8063 |
| 45 | FILLER CAP - WATER BOTTLE | 1 | GL8004 |
| 53 | TUBING 12 MM - CLEAR | 1 | GL8063 |
| 54 | BACK PLATE ASSY | 1 | GL8051 |
| 55 | HOSETAIL 90° ELBOW 1/4" | 6 | GL8055 |
| 56 | M5 x 16 HEX BOLT | 4 | GL8058 |
| 58 | CARTON KNOCKDOWN - EXPORT | 1 | GL10004 |
| 60 | IML LABEL - TANK (SET OF 2) (NOT SOLD SEPERATLY) | 1 | GL10002 |
| 61 | CHARGER LEAD | 1 | GL9021 |

| | |
|-----------|-----------------------|
| MATERIAL: | SEE DETAILED DRAWINGS |
| "V" TYPE: | N/A |
| B/A 90: | N/A |
| FINISH: | SEE DETAILED DRAWINGS |
| QUANTITY: | SEE DETAILED DRAWINGS |

| | | | | | |
|------------------------------|---|--------------|--------------|-------------|--|
| 10 | REVISION DESCRIPTION | DRAWN | CHECK | DATE |  |
| | M20 x 1.5 NUT NOW PLASTIC | B.K. | B.K. | 2009/05/28 | |
| | ELECTRICAL CONNECTOR RDF25 - GL9028 ADDED | B.K. | B.K. | 2009/06/11 | |
| | M6 x 19 x 1.6 FLAT WASHER ADDED - GL8064 | B.K. | B.K. | 2009/07/27 | |
| | PRV AND ASSOCIATED COMPONENTS ADDED | B.K. | B.K. | 2009/09/14 | |
| | HANDLE CLAMP REVISED | K.V. | K.V. | 2010/02/09 | |
| HANDLE CLAMPING ASSY REVISED | B.K. | B.K. | 2010/07/02 | | |
| | | | | |  |
| | | | | | TITLE CUSTOMER: DURA PAINTS PROJECT: GO LINE 30 MARKING SYSTEM PART: GA PROG: PROGRAM NAME: B578 |
| | | | | | <input type="checkbox"/> LASER <input type="checkbox"/> PUNCH <input type="checkbox"/> MANUAL |
| | | | | | DATE 2008/07/17 SCALE N.T.S. DRAWN B.K. CHECKED APP'D |
| | | | | | LASER DISK : CNC LOCATION : Drawing Number: B578 |

TOLERANCE TO BE +0.5 MM UNLESS OTHERWISE STATED